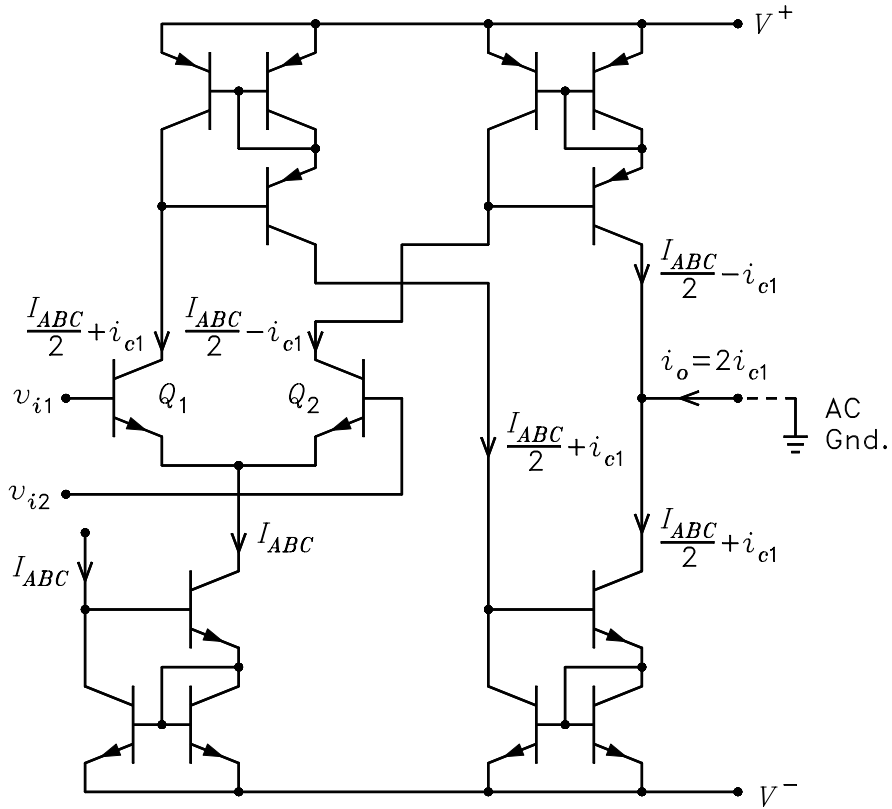
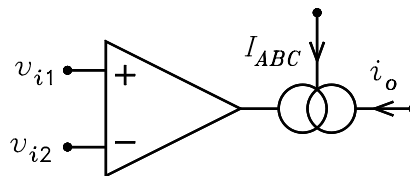


The Transconductance Op Amp or Gm Op Amp



Circuit Symbol



Amplitude Modulation Modulator Circuit

